

Experimental conditions: standard atmospheric pressure, room temperature at 20°C, the liquid is pure water, no pressure, no suction and lift.

Note: Actually, it is affected by many factors such as transmission medium, inlet and outlet pressure, hose material and error, working environment, etc. This data is for reference only.

Pump Head	Tubing	ID×Wall thickness(mm)	mL / r	Flow Rate(mL/min) (0.1-600rpm)	Tubing Max. Pressure(Mpa)		Weight(kg)
					Intermittent	Continuous	
EasyPump (Acceptable tubing of 1.6 mm wall thickness)	13#	0.8×1.6	0.053	0.0053-32	0.27	0.17	0.6
	14#	1.6×1.6	0.27	0.027-162			
	19#	2.4×1.6	0.55	0.055-330			
	16#	3.1×1.6	0.933	0.093-560	0.24	0.14	
	25#	4.8×1.6	1.967	0.197-1180			
	17#	6.4×1.6	3.333	0.333-2000	0.14	0.10	
EasyPump (Acceptable tubing of 2.4 mm wall thickness)	18#	7.9×1.6	4.3	0.430-2580	0.10	0.07	
	15#	4.8×2.4	1.8	0.180-1080	0.27	0.17	
	24#	6.4×2.4	2.733	0.273-1640			
	35#	7.9×2.4	3.833	0.383-2300	0.24	0.14	
	36#	9.6×2.4	5.167	0.517-3100			

Easy Load Pump Head

HandyPump



Product Features

- | Beautiful appearance, compact size
- | Flow rate range: 0.0033-365.69mL/min.
- | Front knob to open the pump head, save space.
- | Automatic tubing retention makes tube loading easy and quick.
- | Single and dual-channel head available.
- | 5 different sizes tubing to meet different flow rate requirements.

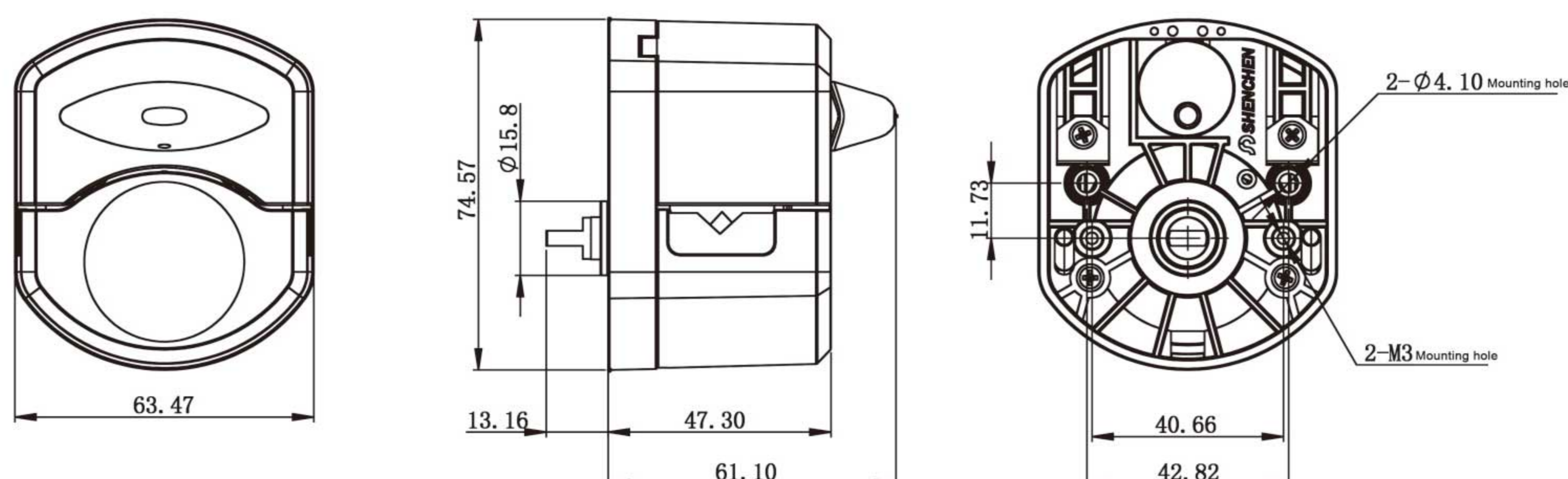


Single channel
HandyPump01



Dual channel
HandyPump02

Dimension Drawing (Unit: mm)



Tubing Installation Procedure



A. Turn the knob anticlockwise 180°, open the upper block.



B. Put the tube between rollers and upper block, tighten up the tubing lightly.



C. Turn the knob clockwise 180°, put the upper block back to original position, fasten the tube.

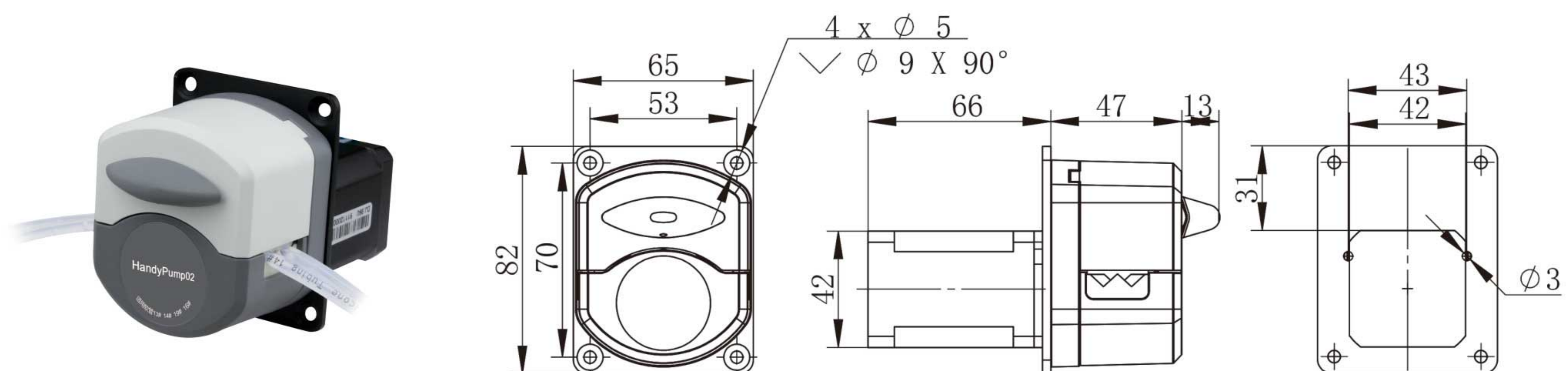
Pump Head	Channel number	Tubing	ID×Wall thickness(mm)	mL / r	Speed(rpm)	Flow Rate(mL/min)	Weight(kg)
HandyPump01	Single channel	13 [#]	0.8 × 1.6	0.033	0.1~300	0.0033~10.03	0.224
		14 [#]	1.6 × 1.6	0.187		0.0187~56.09	
		19 [#]	2.4 × 1.6	0.371		0.0371~111.17	
		16 [#]	3.1 × 1.6	0.636		0.0636~190.76	
		25 [#]	4.8 × 1.6	1.219		0.1219~365.69	
HandyPump02	Dual channel	13 [#]	0.8 × 1.6	0.033	0.1~300	0.0033~10.03	0.224
		14 [#]	1.6 × 1.6	0.187		0.0187~56.09	
		19 [#]	2.4 × 1.6	0.371		0.0371~111.17	
		16 [#]	3.1 × 1.6	0.636		0.0636~190.76	

OEM Product

Easy Load Pump Head Series HandyPump01 HandyPump02

OEM-HYB001(42-60 stepper motor)

Dimension Drawing(Unit: mm)



OEM-HYB001 Technical Specifications

Speed range	0.1-300rpm	Motor step angle	1.8°
Flow rate range	0.0033-365.69mL/min	Motor phase voltage	3.6V
Motor type	42 stepper motor	Motor phase current	1.7A
Motor phase number	2	Working environment	0-40°C, 80%RH

